

SUBMITTAL SHEET

JOB NAME	ITEM TAG
JOB LOCATION	PART NUMBER
CONTRACTOR	DATE
ENGINEER APPROVAL	DATE

QUARTER TURN ANTI-SIPHON FROST FREE SILLCOCK

T-550

Patented Softouch rubber-clad handwheel

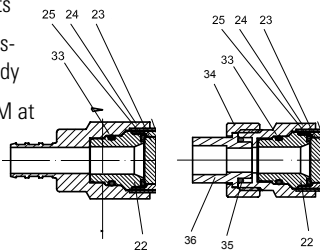
Quarter-turn Operation

Dual ceramic discs offer durable, positive shutoff

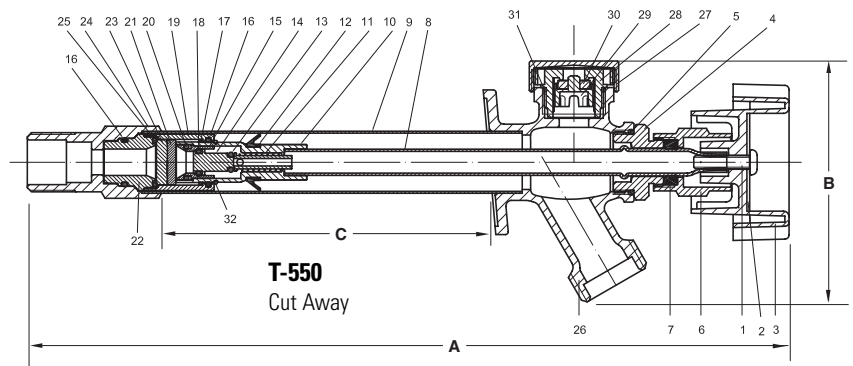
Oversized, angled mounting flange with screw slots

Durable corrosion-resistant chrome-plated body

Improved flow: 10 GPM at 50 psi



- ANSI / NSF 61-9 Certified
- A.S.S.E 1019, Type A Certified
- cUPC / IAPMO Approved



WARNING: Hose must be removed in order to prevent freezing or warranty will be null & void!

MATERIAL SPECIFICATION

PART	MATERIAL	SPECIFICATIONS
1 Handle screw	Brass	JIS C2600
1 Handle screw	Brass	JIS C2600
2 Identification plate	Aluminum	
3 Handwheel	Aluminum & TPR	
4 Bonnet nut	Forged Brass, chrome plated	ASTM B16 UNS C36000
5 Bonnet nut O-ring	NBR (Nitrile Rubber)	Commercial grade
6 Packing nut	Forged Brass, chrome plated	ASTM B16 UNS C36000
7 Stem packing	NBR (Nitrile Rubber)	Commercial grade
8 Stem	Brass	ASTM C27000
9 Outer Tube	Brass	ASTM C27000
10 Cartridge Stem	Forged Brass, chrome plated	ASTM B16 UNS C36000
11 Spring	Stainless Steel	AISI 304
12 Cup Washer	NBR (Nitrile Rubber)	Commercial grade
13 O-Ring	EPDM	Commercial grade
14 Check Valve Piston	Forged Brass	ASTM B16 UNS C36000
15 Spacer	Forged Brass	ASTM B16 UNS C36000
16 O-Ring	Fluoroelastomer	Dupont Viton
17 Cartridge Packing	PTFE	Dupont Teflon
18 O-Ring	EPDM	Commercial grade
19 Cartridge Body	Brass	ASTM B16 UNS C36000
20 Spacer O-Ring	EPDM	Commercial grade
21 Ceramic Disk	Ceramic	Commercial grade
22 Cartridge End	Forged Brass	ASTM B16 UNS C36000
23 Ceramic Disk	Ceramic	Commercial grade

MATERIAL SPECIFICATION

PART	MATERIAL	SPECIFICATIONS
24 End Adapter	Forged Brass, chrome plated	ASTM B16 UNS C36000
25 O-Ring	EPDM	Commercial grade
26 Exterior body	Brass, chrome plated	ASTM B584 UNS C85700
27 Vacuum breaker cap	Forged Brass, chrome plated	ASTM B16 UNS C36000
28 Vacuum breaker body	POM	COPOLYMER 090
29 Vacuum breaker disk	POM	COPOLYMER 090
30 Vacuum breaker seat	NBR (Nitrile Rubber)	Commercial grade
31 Vacuum breaker O-ring	NBR (Nitrile Rubber)	Commercial grade
32 Retaining Clip	Stainless Steel	AISI 304
33 O-ring	Fluoroelastomer	Dupont Viton
34 Adapter lock-ring	Forged Brass, chrome-plated	ASTM B16 UNSC36000
35 Adapter O-ring	NBR (Nitrile Rubber)	Commercial Grade
36 Socket adapter	Virgin CPVC resin	ASTM D1784

*denotes CPVC solvent-weld inlet connection

DIMENSIONS

Size	A	B	C (nominal length)
4"	9.81	3.49	3.67
6"	11.77	3.49	5.67
8"	13.77	3.49	7.67
10"	15.81	3.49	9.67
12"	17.81	3.49	11.67
14"	19.81	3.49	13.67